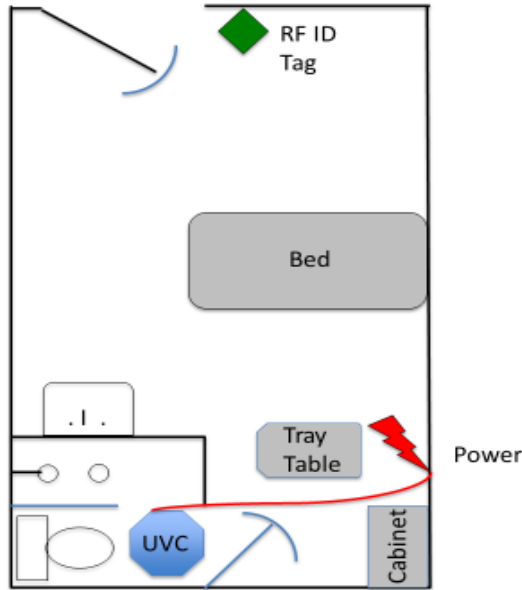




Generic Hospital Standard Operating Procedure
Room 631 thru 644
First Treatment



First Treatment Rooms 631 thru 644

Generic Hospital Standard Operating Procedure
Rooms 631 thru 644

UVC Cleaning Systems Equipment Operations:

1. The room is manually cleaned using standard operating procedures, remove all soft goods and bedding from the room, stage the room by exposing as many surfaces to the UV energy as possible. Move the tray table into place shown in the diagram. Expose the two table top surfaces.
2. Open all drawers in the nightstand. Pull the night stand away from the wall 6".
3. Open all the storage cabinets and patient belongings cabinet.
4. Open the doors on the glove / bandage cabinet.
5. Open the lid on the hazardous waste trash can. Move trash can away from the wall 6".
6. Move the patients trash can away from the wall 6".
7. Position the pillows on the window sill or a location that will allow them to be exposed to the UVC energy.
8. Lower the bed, raise the side rails. Pull the bed away from the wall 6".
9. Hang all wires and place remotes in an area where they are exposed to the UV light.
10. Move the tray table to the location in the diagram, open the table top to expose the hidden table top surface.
11. Roll the two devices into the room and place one device in the bathroom. (See diagram) The first treatment for this room only uses one machine.
12. Plug one device into 15AMP, 120V circuit, See diagram for plug locations. Turn the power switch clockwise, a tone will sound. LED indicator lights for operator and location will begin flashing. The green READY light will begin flashing.
13. Swipe the operator RF ID badge to the front of the device, a tone will sound and the operator LED will turn off. Swipe location RF ID card or fob stored in the treatment area, a tone will sound and the Location LED will turn off.

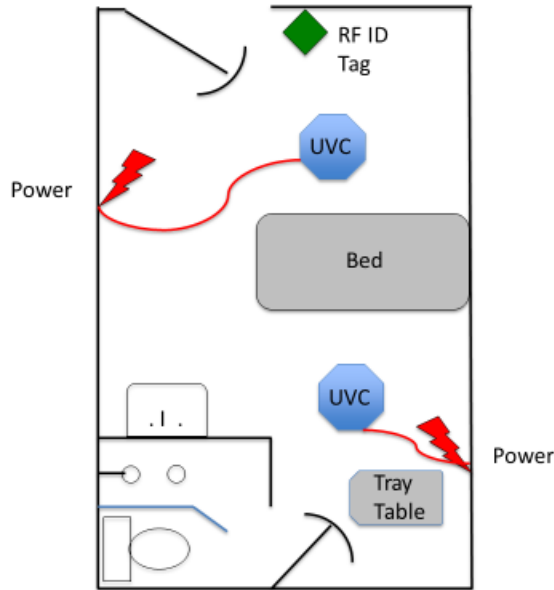


The RF ID cards can be scanned in any order. A location and operator ID is required if the RF ID functionality is activated on the SD Card Key.

14. Power on remote. Place the remote control into HOME docking cup. Green READY light stops flashing. Remove remote control from the HOME docking cup of first machine.
15. Leave the bathroom door open.
16. Make sure all people have been removed from the treatment area.
17. Exit the room and press the START button on the remote control. The audio alarm starts. Motion sensors scan the room for 60 seconds.
18. The UVC lamps turn on. The RED TREATMENT IN PROGRESS light illuminates on the UVC unit and remote control.
19. If motion is detected in the treatment area after the START button is pressed, all UVC units will shut off and the MOTION DETECTED light will illuminate on the remote control. The YELLOW SERVICE light will illuminate on the unit that detected motion stopping the treatment. To restart the unit press the RESET button on the remote, the unit will change to GREEN READY and treatment process is ready to start again where it left off. The unit will scan for motion and the lamps will turn on.
20. When treatment cycle is complete the UVC unit will shut down and the BLUE TREATMENT COMPLETE light illuminates on the remote control and UVC unit. The fan will turn on and circulate air within the treatment area helping to dissipate the UV odor.
21. Leave the device plugged in for the second treatment.



Generic Hospital Standard Operating Procedure
Rooms 631 thru 644



Second Treatment Room 631 thru 644

UVC Cleaning Systems Equipment Operations Second Treatment for Rooms 631 thru 644:

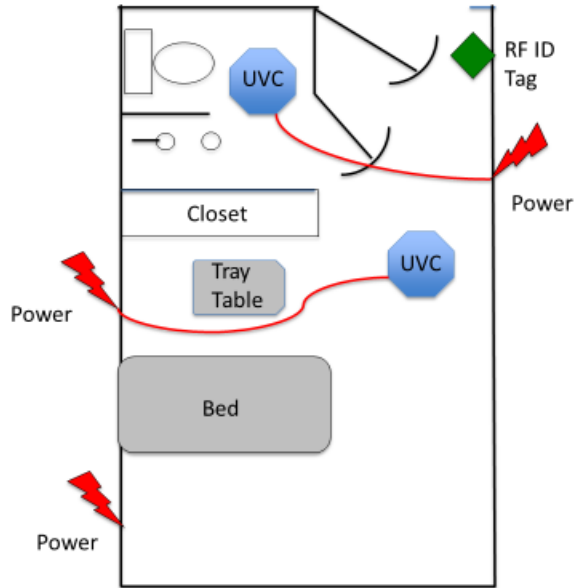
1. Remove the machine from the bathroom and place it in the location shown in the diagram.
2. Turn the tray table around and expose the inside drawer surface.
3. Reposition the pillows on the window sill or a location that will allow them to be exposed to the UVC energy
4. Close the bathroom door.
5. Move the second machine to the location shown in the diagram. Plug the second device into 15AMP, 120V circuit. See diagram for plug locations. Turn the power switch clockwise, a tone will sound. LED indicator lights for operator and location will begin flashing. The green READY light will begin flashing.
6. Swipe the operator RF ID badge to the front of the first device, a tone will sound and the operator LED will turn off. Swipe location RF ID card or fob stored in the treatment area, a tone will sound and the Location LED will turn off. The RF ID cards can be scanned in any order. A location and operator ID is required if the RF ID functionality is activated on the SD Card Key.
7. Power on remote. Place the remote control into LINK docking cup. Green READY light stops flashing. Remove remote control from the LINK docking cup of first machine.
8. Swipe the operator RF ID badge to the front of the second device, a tone will sound and the operator LED will turn off. Swipe location RF ID card or fob stored in the treatment area, a tone will sound and the Location LED will turn off.
9. Power on the second remote. Place the remote control into LINK docking cup. Green READY light stops flashing. Remove the remote control from the LINK docking cup of the second machine.
10. Make sure all people and animals have been removed from treatment area.
11. Press the start button on the first remote and set the remote on the top of the machine.
12. Exit the room and press the START button on the second remote control. The audio alarm starts. Motion sensors scan the room for 60 seconds.
13. The UVC lamps turn on. The RED TREATMENT IN PROGRESS light illuminates on the UVC unit and remote control.



14. If motion is detected in the treatment area after the START button is pressed, all UVC units will shut off and the MOTION DETECTED light will illuminate on the remote control. The YELLOW SERVICE light will illuminate on the unit that detected motion stopping the treatment. To restart the unit press the RESET button on the remote, the unit will change to GREEN READY and treatment process is ready to start again where it left off. The unit will scan for motion and the lamps will turn on.
15. When treatment cycle is complete the UVC unit will shut down and the BLUE TREATMENT COMPLETE light illuminates on both the remote control and UVC unit. The fan will turn on and circulate air within the treatment area helping to dissipate the UV odor.
16. Unplug the machines from the wall wrap up the power cord and hang on the hook. Strap the two machines together and move to the next room.



Generic Hospital Standard Operating Procedure
 Rooms: 602, 604, 606, 608, 610, 612, 617, 619, 621, 623, 625, 627



First Treatment Rooms 602, 604, 606, 608, 610, 612, 617, 619, 621, 623, 625, 627

UVC Cleaning Systems Equipment Operations:

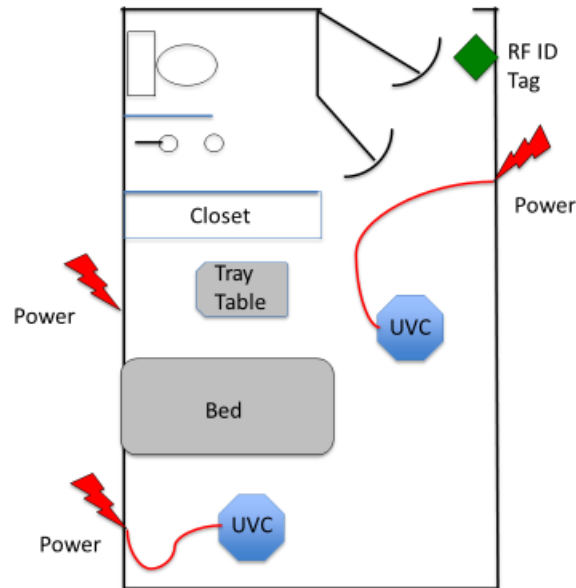
1. The room is manually cleaned using standard operating procedures; remove all soft goods and bedding from the room, stage the room by expose as many surfaces to the UV energy as possible. Move the tray table into place as shown in the diagram.
2. Open all drawers in the nightstand. Pull the night stand away from the wall 6".
3. Open all the storage closet and patient belongings cabinet.
4. Open the doors on the glove / bandage cabinet.
5. Open the lid on the hazardous waste trash can. Move trash can away from the wall 6".
6. Move the patients trash can away from the wall 6".
7. Position the pillows in a location that allows them to be exposed to the UV energy.
8. Lower the bed, raise the side rails. Pull the bed away from the wall 6".
9. Hang all wires and place remotes in an area where they are exposed to the UV light.
10. Move the tray table to the location in the diagram, open the drawers in the tray table.
11. Roll the two devices into the room and place one device in the bathroom. (See diagram) The first treatment for this room uses two machine.
12. Plug first device into 15AMP, 120V circuit, See diagram for plug locations. Turn the power switch clockwise, a tone will sound. LED indicator lights for operator and location will begin flashing. The green READY light will begin flashing.
13. Plug second device into 15AMP, 120V circuit, See diagram for plug locations. Turn the power switch clockwise, a tone will sound. LED indicator lights for operator and location will begin flashing. The green READY light will begin flashing.
14. Swipe the operator RF ID badge to the front of the first device, a tone will sound and the operator LED will turn off. Swipe location RF ID card or fob stored in the treatment area, a tone will sound and the Location LED will turn off. The RF ID cards can be scanned in any order. A location and operator ID is required if the RF ID functionality is activated on the SD Card Key.
15. Power on remote. Place the remote control into the LINK docking cup. Green READY light stops flashing. Remove remote control from the LINK docking cup of first machine.



16. Swipe the operator RF ID badge to the front of the second device, a tone will sound and the operator LED will turn off. Swipe location RF ID card or fob stored in the treatment area, a tone will sound and the Location LED will turn off.
17. Power on the second remote. Place the remote control into LINK docking cup. Green READY light stops flashing. Remove remote control from the LINK docking cup of first machine.
18. Leave the bathroom door slightly open.
19. Make sure all people and animals have been removed from treatment area.
20. Press the start button on the first remote and set the remote on the top of the machine.
21. Exit the room and press the START button on the second remote control. The audio alarm starts. Motion sensors scan the room for 60 seconds.
22. The UVC lamps turn on. The RED TREATMENT IN PROGRESS light illuminates on the UVC unit and remote control.
23. If motion is detected in the treatment area after the START button is pressed, all UVC units will shut off and the MOTION DETECTED light will illuminate on the remote control. The YELLOW SERVICE light will illuminate on the unit that detected motion stopping the treatment. To restart the unit press the RESET button on the remote, the unit will change to GREEN READY and treatment process is ready to start again where it left off. The unit will scan for motion and the lamps will turn on.
24. When treatment cycle is complete the UVC unit will shut down and the BLUE TREATMENT COMPLETE light illuminates on both the remote control and UVC unit. The fan will turn on and circulate air within the treatment area helping to dissipate the UV odor.



Generic Hospital Standard Operating Procedure
 Rooms: rooms 602, 604, 606, 608, 610, 612, 617, 619, 621, 623, 625, 627



Second Treatment Rooms 602, 604, 606, 608, 610, 612, 617, 619, 621, 623, 625, 627

UVC Cleaning Systems Equipment Operations Second Treatment:

1. Move the machines to the locations shown in the diagram.
2. Turn the tray table around and expose the inside table surface.
3. Reposition the pillows in a location that allows them to be exposed to the UV energy.
4. Close the bathroom door.
5. Plug the second device into 15AMP, 120V circuit, See diagram for plug locations. Turn the power switch clockwise, a tone will sound. LED indicator lights for operator and location will begin flashing. The green READY light will begin flashing.
6. Swipe the operator RF ID badge to the front of the first device, a tone will sound and the operator LED will turn off. Swipe location RF ID card or fob stored in the treatment area, a tone will sound and the Location LED will turn off. The RF ID cards can be scanned any order. A location and operator ID is required if the RF ID functionality is activated on the SD Card Key.
7. Power on the remote. Place the remote control into LINK docking cup. Green READY light stops flashing. Remove remote control from the LINK docking cup of first machine.
8. Swipe the operator RF ID badge to the front of the second device, a tone will sound and the operator LED will turn off. Swipe location RF ID card or fob stored in the treatment area, a tone will sound and the Location LED will turn off.
9. Power on the second remote. Place the remote control into LINK docking cup. Green READY light stops flashing. Remove remote control from the LINK docking cup of first machine.
10. Make sure all people and animals have been removed from treatment area.
11. Press the start button on the first remote and set the remote on the top of the machine.
12. Exit the room and press the START button on the second remote control. The audio alarm starts. Motion sensors scan the room for 60 seconds.
13. The UVC lamps turn on. The RED TREATMENT IN PROGRESS light illuminates on the UVC unit and remote control.
14. If motion is detected in the treatment area after the START button is pressed, all UVC units will shut off and the MOTION DETECTED light will illuminate on the remote control. The YELLOW SERVICE light will illuminate on

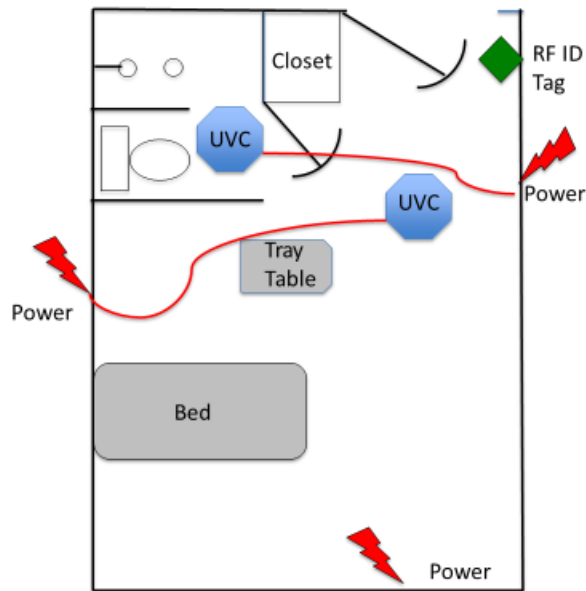


the unit that detected motion stopping the treatment. To restart the unit press the RESET button on the remote, the unit will change to **green** READY and treatment process is ready to start again where it left off. The unit will scan for motion and the lamps will turn on.

15. When treatment cycle is complete the UVC unit will shut down and the BLUE TREATMENT COMPLETE light illuminates on both the remote control and UVC unit. The fan will turn on and circulate air within the treatment area helping to dissipate the UV odor.
16. Unplug the machines from the wall wrap up the power cord and hang on the hook. Strap the two machines together and move to the next room.



Generic Hospital Standard Operating Procedure
Rooms: 600, 601, 603, 605, 607, 609, 611, 618, 620, 622, 624, 626



First Treatment Rooms 600, 601, 603, 605, 607, 609, 611, 618, 620, 622, 624, 626

UVC Cleaning Systems Equipment Operations:

1. The room is manually cleaned using standard operating procedures, remove all soft goods and bedding from the room, stage the room by expose as many surfaces the UV energy. Move the tray table into place as shown in the diagram.
2. Open all drawers in the nightstand. Pull the nights stand away from the wall 6".
3. Open all the storage closet and patient belongings closet.
4. Open the doors on the glove / bandage cabinet.
5. Open the lid on the hazardous waste trash can. Move trash can away from the wall 6".
6. Move the patients trash can away from the wall 6".
7. Positions the pillows in a location that allows them to be exposed to the UV energy.
8. Lower the bed, raise the side rails. Pull the bed away from the wall 6".
9. Hang all wires and remotes in an area where they are exposed to the UV light.
10. Move the tray table to the location in the diagram, open the drawers in the tray table.
11. Roll the two devices into the room and place one device in the bathroom. (See diagram) The first treatment for this room uses two machine.
12. Plug first device into 15AMP, 120V circuit, See diagram for plug locations. Turn the power switch clockwise, a tone will sound. LED indicator lights for operator and location will begin flashing. The green READY light will begin flashing.
13. Plug second device into 15AMP, 120V circuit, See diagram for plug locations. Turn the power switch clockwise, a tone will sound. LED indicator lights for operator and location will begin flashing. The green READY light will begin flashing.
14. Swipe the operator RF ID badge to the front of the first device, a tone will sound and the operator LED will turn off. Swipe location RF ID card or fob stored in the treatment area, a tone will sound and the Location LED will turn

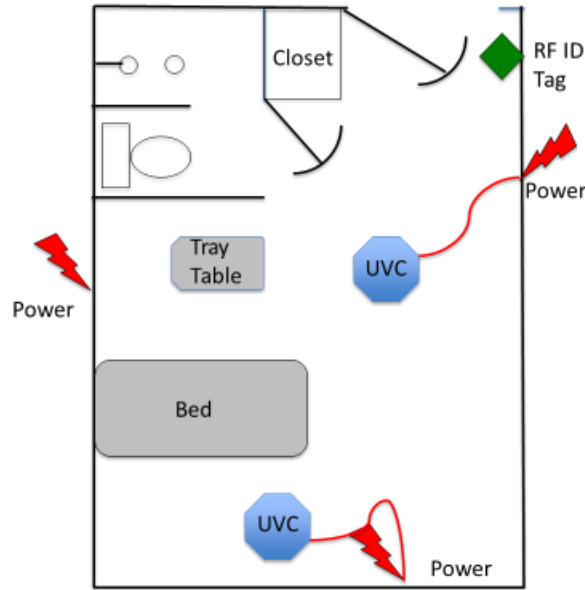


off. The RF ID cards can be scanned any order. A location and operator ID is required if the RF ID functionality is activated on the SD Card Key.

15. Power on remote. Place the remote control into LINK docking cup. Green READY light stops flashing. Remove remote control from the LINK docking cup of first machine.
16. Swipe the operator RF ID badge to the front of the second device, a tone will sound and the operator LED will turn off. Swipe location RF ID card or fob stored in the treatment area, a tone will sound and the Location LED will turn off.
17. Power on the second remote. Place the remote control into LINK docking cup. Green READY light stops flashing. Remove remote control from the LINK docking cup of first machine.
18. Leave the bathroom door slightly open.
19. Make sure all people and animals have been removed from treatment area.
20. Press the start button on the first remote and set the remote on the top of the machine.
21. Exit the room and press the START button on the second remote control. The audio alarm starts. Motion sensors scan the room for 60 seconds.
22. The UVC lamps turn on. The RED TREATMENT IN PROGRESS light illuminates on the UVC unit and remote control.
23. If motion is detected in the treatment area after the START button is pressed, all UVC units will shut off and the MOTION DETECTED light will illuminate on the remote control. The YELLOW SERVICE light will illuminate on the unit that detected motion stopping the treatment. To restart the unit press the RESET button on the remote, the unit will change to **green** READY and treatment process is ready to start again where it left off. The unit will scan for motion and the lamps will turn on.
24. When treatment cycle is complete the UVC unit will shut down and the BLUE TREATMENT COMPLETE light illuminates on both the remote control and UVC unit. The fan will turn on and circulate air within the treatment helping to dissipate the UV odor.



Generic Hospital Standard Operating Procedure
Rooms: 600, 601, 603, 605, 607, 609, 611, 618, 620, 622, 624, 626



Second Treatment Rooms 600, 601, 603, 605, 607, 609, 611, 618, 620, 622, 624, 626

UVC Cleaning Systems Equipment Operations Second Treatment:

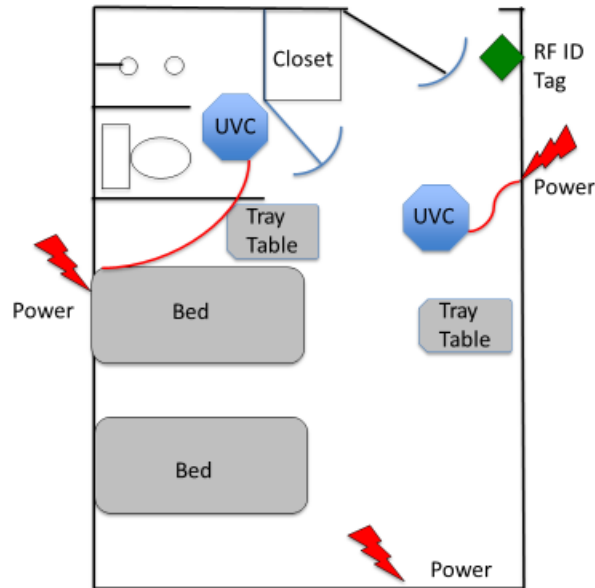
1. Move the machine to the location shown in the diagram.
2. Turn the tray table around and expose the inside table surface.
3. Repositions the pillows in a location that allows them to be exposed to the UV energy.
4. Close the bathroom door.
5. Plug the second device into 15AMP, 120V circuit, See diagram for plug locations. Turn the power switch clockwise, a tone will sound. LED indicator lights for operator and location will begin flashing. The green READY light will begin flashing.
6. Swipe the operator RF ID badge to the front of the first device, a tone will sound and the operator LED will turn off. Swipe location RF ID card or fob stored in the treatment area, a tone will sound and the Location LED will turn off. The RF ID cards can be scanned any order. A location and operator ID is required if the RF ID functionality is activated on the SD Card Key.
7. Power on remote. Place the remote control into LINK docking cup. Green READY light stops flashing. Remove remote control from the LINK docking cup of first machine.
8. Swipe the operator RF ID badge to the front of the second device, a tone will sound and the operator LED will turn off. Swipe location RF ID card or fob stored in the treatment area, a tone will sound and the Location LED will turn off.
9. Power on the second remote. Place the remote control into LINK docking cup. Green READY light stops flashing. Remove remote control from the LINK docking cup of first machine.
10. Make sure all people and animals have been removed from treatment area.
11. Press the start button on the first remote and set the remote on the top of the machine.
12. Exit the room and press the START button on the second remote control. The audio alarm starts. Motion sensors scan the room for 60 seconds. on the second machine.



13. The UVC lamps turn on. The RED TREATMENT IN PROGRESS light illuminates on the UVC unit and remote control.
14. If motion is detected in the treatment area after the START button is pressed, all UVC units will shut off and the MOTION DETECTED light will illuminate on the remote control. The YELLOW SERVICE light will illuminate on the unit that detected motion stopping the treatment. To restart the unit press the RESET button on the remote, the unit will change to **green** READY and treatment process is ready to start again where it left off. The unit will scan for motion and the lamps will turn on.
15. When treatment cycle is complete the UVC unit will shut down and the BLUE TREATMENT COMPLETE light illuminates on both the remote control and UVC unit. The fan will turn on and circulate air within the treatment area helping to dissipate the UV odor.
16. Unplug the machines from the wall wrap up the power cord and hang on the hook. Strap the two machines together and move to the next room.



Generic Hospital Standard Operating Procedure
Rooms: 603, 626, 628 Two Beds



First Treatment Rooms 603, 626, 628
Two beds

UVC Cleaning Systems Equipment Operations:

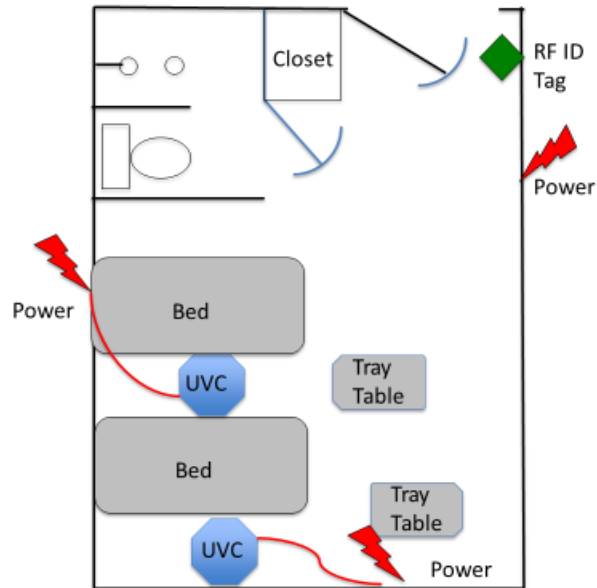
1. The room is manually cleaned using standard operating procedures, remove all soft goods and bedding from the room, stage the room by expose as many surfaces the UV energy.
2. Open all drawers in the nightstand. Pull the nights stand away from the wall 6".
3. Open all the storage closet and patient belongings closet.
4. Open the doors on the glove / bandage cabinet.
5. Open the lid on the hazardous waste trash can. Move trash can away from the wall 6".
6. Move the patients trash can away from the wall 6".
7. Move the tray table into place as shown in the diagram. Expose the two table top surfaces.
8. Lower the beds, raise the side rails. Pull the beds away from the wall 6".
9. Positions the pillows in a location that allows them to be exposed to the UV energy.
10. Hang all wires and remotes in an area where they are exposed to the UV light.
11. Roll the two devices into the room and place one device in the bathroom. (See diagram) The first treatment for this room uses two machine.
12. Plug first device into 15AMP, 120V circuit, See diagram for plug locations. Turn the power switch clockwise, a tone will sound. LED indicator lights for operator and location will begin flashing. The green READY light will begin flashing.
13. Plug second device into 15AM, 120V circuit, See diagram for plug locations. Turn the power switch clockwise, a tone will sound. LED indicator lights for operator and location will begin flashing. The green READY light will begin flashing.
14. Swipe the operator RF ID badge to the front of the first device, a tone will sound and the operator LED will turn off. Swipe location RF ID card or fob stored in the treatment area, a tone will sound and the Location LED will turn off. The RF ID cards can be scanned any order. A location and operator ID is required if the RF ID functionality is activated on the SD Card Key.
15. Power on remote. Place the remote control into LINK docking cup. Green READY light stops flashing. Remove remote control from the LINK docking cup of first machine.



16. Swipe the operator RF ID badge to the front of the second device, a tone will sound and the operator LED will turn off. Swipe location RF ID card or fob stored in the treatment area, a tone will sound and the Location LED will turn off.
17. Power on the second remote. Place the remote control into LINK docking cup. Green READY light stops flashing. Remove remote control from the LINK docking cup of first machine.
18. Leave the bathroom door slightly open.
19. Make sure all people and animals have been removed from treatment area.
20. Press the start button on the first remote and set the remote on the top of the machine.
21. Exit the room and press the START button on the second remote control. The audio alarm starts. Motion sensors scan the room for 60 seconds.
22. The UVC lamps turn on. The RED TREATMENT IN PROGRESS light illuminates on the UVC unit and remote control.
23. If motion is detected in the treatment area after the START button is pressed, all UVC units will shut off and the MOTION DETECTED light will illuminate on the remote control. The YELLOW SERVICE light will illuminate on the unit that detected motion stopping the treatment. To restart the unit press the RESET button on the remote, the unit will change to GREEN READY and treatment process is ready to start again where it left off. The unit will scan for motion and the lamps will turn on.
24. When treatment cycle is complete the UVC unit will shut down and the BLUE TREATMENT COMPLETE light illuminates on both the remote control and UVC unit. The fan will turn on and circulate air within the treatment area helping to dissipate the UV odor.



Generic Hospital Standard Operating Procedure
Rooms: 603, 626, 628 Two Beds



Second Treatment Rooms 603, 626, 628 Two beds

UVC Cleaning Systems Equipment Operations Second Treatment:

1. Move the two machines to the locations shown in the diagram. Plug into 15AMP, 120V circuit, See diagram for plug locations. Turn the power switch clockwise, a tone will sound. LED indicator lights for operator and location will begin flashing. The green READY light will begin flashing.
2. Move the tray tables into the locations shown in the diagram. Turn the tray table around and expose the inside draw surface.
3. Close the bathroom door.
4. Swipe the operator RF ID badge to the front of the first device, a tone will sound and the operator LED will turn off. Swipe location RF ID card or fob stored in the treatment area, a tone will sound and the Location LED will turn off. The RF ID cards can be scanned any order. A location and operator ID is required if the RF ID functionality is activated on the SD Card Key.
5. Power on remote. Place the remote control into LINK docking cup. Green READY light stops flashing. Remove remote control from the LINK docking cup of first machine.
6. Swipe the operator RF ID badge to the front of the second device, a tone will sound and the operator LED will turn off. Swipe location RF ID card or fob stored in the treatment area, a tone will sound and the Location LED will turn off.
7. Power on the second remote. Place the remote control into LINK docking cup. Green READY light stops flashing. Remove remote control from the LINK docking cup of first machine.
8. Make sure all people and animals have been removed from treatment area.
9. Press the start button on the first remote and set the remote on the top of the machine.
10. Exit the room and press the START button on the second remote control. The audio alarm starts. Motion sensors scan the room for 60 seconds.
11. The UVC lamps turn on. The RED TREATMENT IN PROGRESS light illuminates on the UVC unit and remote control.
12. If motion is detected in the treatment area after the START button is pressed, all UVC units will shut off and the MOTION DETECTED light will illuminate on the remote control. The YELLOW SERVICE light will illuminate on

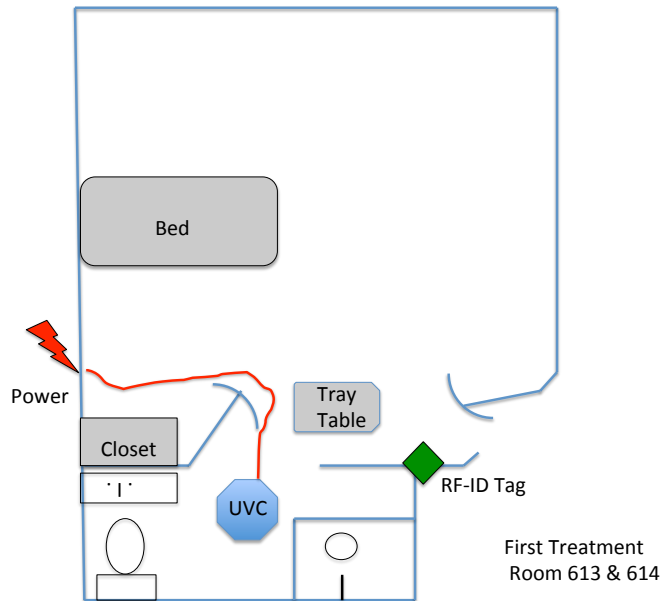


the unit that detected motion stopping the treatment. To restart the unit press the RESET button on the remote, the unit will change to GREEN READY and treatment process is ready to start again where it left off. The unit will scan for motion and the lamps will turn on.

13. When treatment cycle is complete the UVC unit will shut down and the BLUE TREATMENT COMPLETE light illuminates on both the remote control and UVC unit. The fan will turn on and circulate air within the treatment area helping to dissipate the UV odor.
14. Unplug the machines from the wall wrap up the power cord and hang on the hook. Strap the two machines together and move to the next room.



Generic Hospital Standard Operating Procedure
Room 613 & 614



UVC Cleaning Systems Equipment Operations:

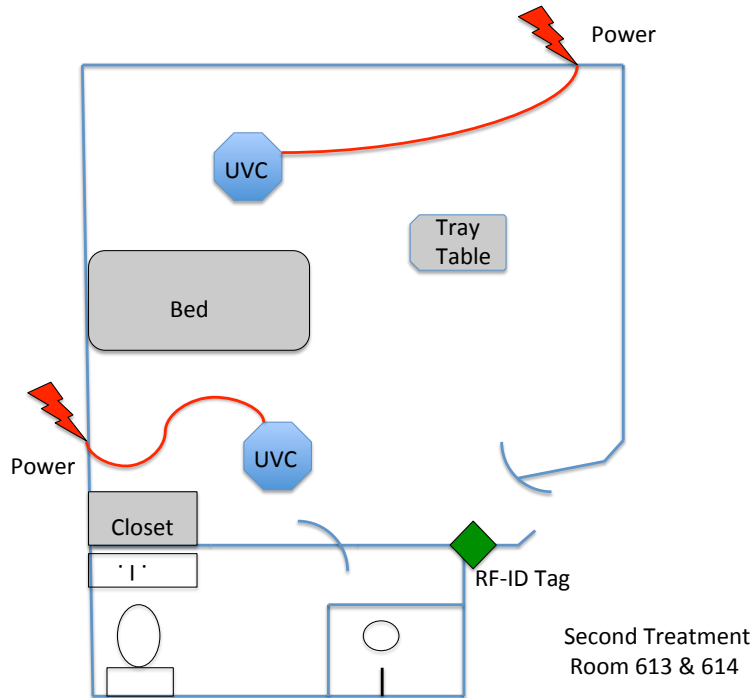
1. The room is manually cleaned using standard operating procedures, remove all soft goods and bedding from the room, stage the room by exposing as many surfaces to the UV energy as possible. Move the tray table into place shown in the diagram. Expose the two table top surfaces.
2. Open all drawers in the nightstand. Pull the nightstand away from the wall 6".
3. Open all the storage cabinets and patient belongings cabinet.
4. Open the doors on the glove / bandage cabinet.
5. Open the lid on the hazardous waste trash can. Move trash can away from the wall 6".
6. Move the patient's trash can away from the wall 6".
7. Position the pillows in a location that will allow them to be exposed to the UVC energy.
8. Lower the bed, raise the side rails. Pull the bed away from the wall 6".
9. Hang all wires and place remotes in an area where they are exposed to the UV light.
10. Move the tray table to the location in the diagram, open the table top to expose the hidden table top surface.
11. Roll the two devices into the room and place one device in the bathroom. (See diagram) The first treatment for this room only uses one machine.
12. Plug one device into 15AMP, 120V circuit, See diagram for plug locations. Turn the power switch clockwise, a tone will sound. LED indicator lights for operator and location will begin flashing. The green READY light will begin flashing.
13. Swipe the operator RF ID badge to the front of the device, a tone will sound and the operator LED will turn off. Swipe location RF ID card or fob stored in the treatment area, a tone will sound and the Location LED will turn off. The RF ID cards can be scanned in any order. A location and operator ID is required if the RF ID functionality is activated on the SD Card Key.
14. Power on remote. Place the remote control into HOME docking cup. Green READY light stops flashing. Remove remote control from the HOME docking cup of first machine.
15. Leave the bathroom door open.
16. Make sure all people have been removed from the treatment area.
17. Exit the room and press the START button on the remote control. The audio alarm starts. Motion sensors scan the room for 60 seconds.



18. The UVC lamps turn on. The RED TREATMENT IN PROGRESS light illuminates on the UVC unit and remote control.
19. If motion is detected in the treatment area after the START button is pressed, all UVC units will shut off and the MOTION DETECTED light will illuminate on the remote control. The YELLOW SERVICE light will illuminate on the unit that detected motion stopping the treatment. To restart the unit press the RESET button on the remote, the unit will change to GREEN READY and treatment process is ready to start again where it left off. The unit will scan for motion and the lamps will turn on.
20. When treatment cycle is complete the UVC unit will shut down and the BLUE TREATMENT COMPLETE light illuminates on the remote control and UVC unit. The fan will turn on and circulate air within the treatment area helping to dissipate the UV odor.
21. Leave the device plugged in for the second treatment.



Generic Hospital Standard Operating Procedure
Room 613 & 614



UVC Cleaning Systems Equipment Operations Second Treatment:

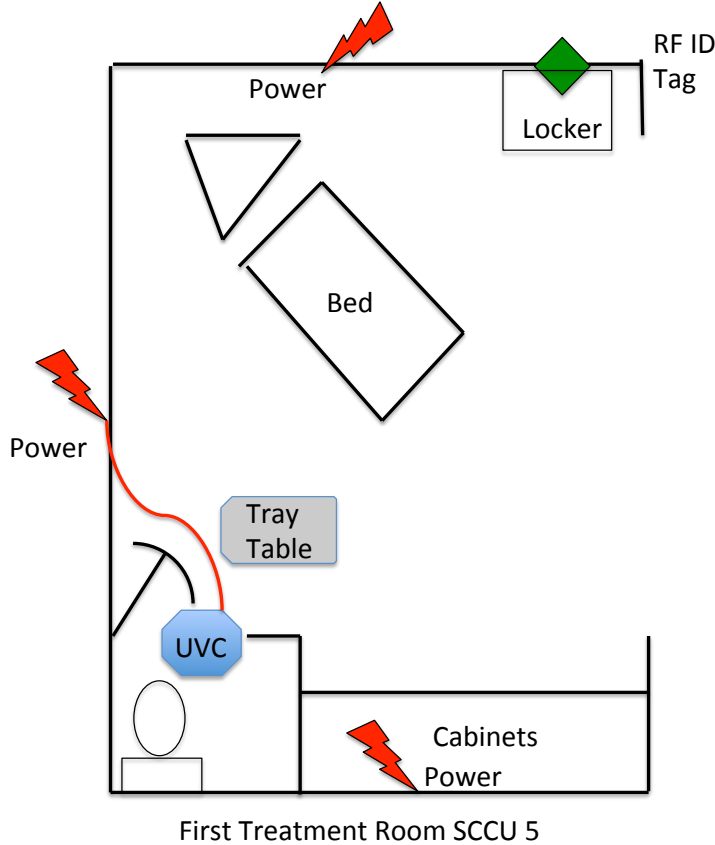
1. Move the two machines to the locations shown in the diagram. Plug into 15AMP, 120V circuit, See diagram for plug locations. Turn the power switch clockwise, a tone will sound. LED indicator lights for operator and location will begin flashing. The green READY light will begin flashing.
2. Move the tray tables into the locations shown in the diagram. Turn the tray table around and expose the inside drawer surface.
3. Close the bathroom door.
4. Swipe the operator RF ID badge to the front of the first device, a tone will sound and the operator LED will turn off. Swipe location RF ID card or fob stored in the treatment area, a tone will sound and the Location LED will turn off. The RF ID cards can be scanned any order. A location and operator ID is required if the RF ID functionality is activated on the SD Card Key.
5. Power on remote. Place the remote control into LINK docking cup. Green READY light stops flashing. Remove remote control from the LINK docking cup of first machine.
6. Swipe the operator RF ID badge to the front of the second device, a tone will sound and the operator LED will turn off. Swipe location RF ID card or fob stored in the treatment area, a tone will sound and the Location LED will turn off.
7. Power on the second remote. Place the remote control into LINK docking cup. Green READY light stops flashing. Remove remote control from the LINK docking cup of first machine.
8. Make sure all people and animals have been removed from treatment area.
9. Press the start button on the first remote and set the remote on the top of the machine.
10. Exit the room and press the START button on the second remote control. The audio alarm starts. Motion sensors scan the room for 60 seconds.
11. The UVC lamps turn on. The RED TREATMENT IN PROGRESS light illuminates on the UVC unit and remote control.



12. If motion is detected in the treatment area after the START button is pressed, all UVC units will shut off and the MOTION DETECTED light will illuminate on the remote control. The YELLOW SERVICE light will illuminate on the unit that detected motion stopping the treatment. To restart the unit press the RESET button on the remote, the unit will change to GREEN READY and treatment process is ready to start again where it left off. The unit will scan for motion and the lamps will turn on.
13. When treatment cycle is complete the UVC unit will shut down and the BLUE TREATMENT COMPLETE light illuminates on both the remote control and UVC unit. The fan will turn on and circulate air within the treatment area helping to dissipate the UV odor.
14. Unplug the machines from the wall wrap up the power cord and hang on the hook. Strap the two machines together and move to the next room.



Generic Hospital Standard Operating Procedure
Room SCCU #5



UVC Cleaning Systems Equipment Operations:

1. The room is manually cleaned using standard operating procedures, remove all soft goods and bedding from the room, stage the room by exposing as many surfaces to the UV energy.
2. Remove the C Locker from the room. Place out in the hallway.
3. Open the doors of the cabinets to expose the surfaces to the UV energy.
4. Open the lid on the hazardous waste trash can. Move trash can away from the wall 6".
5. Move the patients trash can away from the wall 6".
6. Position the pillows in a location that allows them to be exposed to the UV energy.
7. Lower the beds, raise the side rails. Pull the beds away from the tower 6".
8. Hang all wires and remotes in an area where they are exposed to the UV light.
9. Move the tray table to the location in the diagram, open the drawers in the tray table. Expose the two table top surfaces.
10. Roll the two devices into the room and place one device in the bathroom. (See diagram) The first treatment for this room uses one machine.
11. Plug first device into 20AMP, 120V circuit, See diagram for plug locations. Turn the power switch clockwise, a tone will sound. LED indicator lights for operator and location will begin flashing. The green READY light will begin flashing.
12. Swipe the operator RF ID badge to the front of the UVC device, a tone will sound and the operator LED will turn off. Swipe location RF ID card or fob stored in the treatment area, a tone will sound and the Location LED will turn

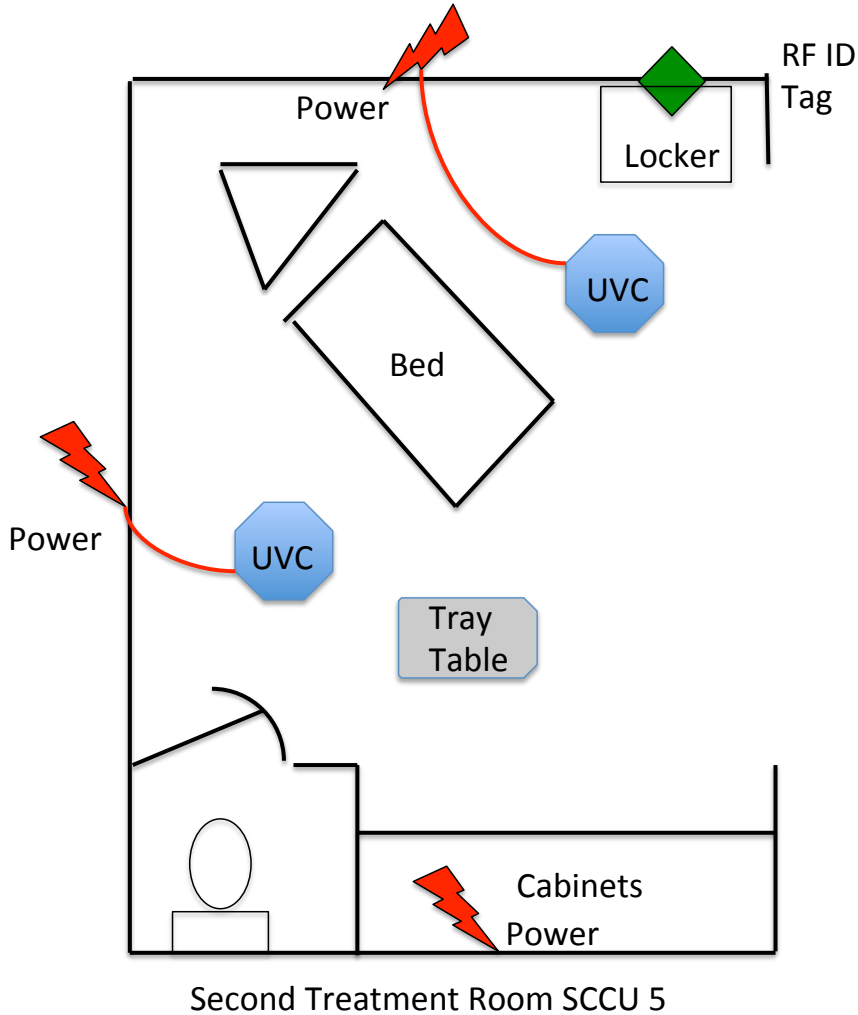


off. The RF ID cards can be scanned any order. A location and operator ID is required if the RF ID functionality is activated on the SD Card Key.

13. Power on remote. Place the remote control into HOME docking cup. Green READY light stops flashing. Remove remote control from the HOME docking cup of the machine.
14. Swipe the operator RF ID badge to the front of the second device, a tone will sound and the operator LED will turn off. Swipe location RF ID card or fob stored in the treatment area, a tone will sound and the Location LED will turn off.
15. Leave the bathroom door open.
16. Make sure all people and animals have been removed from treatment area.
17. Exit the room and press the START button on the remote control. The audio alarm starts. Motion sensors scan the room for 60 seconds.
18. The UVC lamps turn on. The RED TREATMENT IN PROGRESS light illuminates on the UVC unit and remote control.
19. If motion is detected in the treatment area after the START button is pressed, the UVC unit will shut off and the MOTION DETECTED light will illuminate on the remote control. The YELLOW SERVICE light will illuminate on the unit that detected motion stopping the treatment. To restart the unit press the RESET button on the remote, the unit will change to **green** READY and treatment process is ready to start again where it left off. The unit will scan for motion and the lamps will turn on.
20. When treatment cycle is complete the UVC unit will shut down and the BLUE TREATMENT COMPLETE light illuminates on both the remote control and UVC unit. The fan will turn on and circulate air within the treatment area helping to dissipate the UV odor.



Generic Hospital Standard Operating Procedure
Room SCCU #5



UVC Cleaning Systems Equipment Operations Second Treatment for Room SCCU 5:

1. Move the two machines into the location shown in the diagram. Plug into 20AMP, 120V circuit, See diagram for plug locations. Turn the power switch clockwise, a tone will sound. LED indicator lights for operator and location will begin flashing. The green READY light will begin flashing.
2. Turn the tray table around and expose the inside drawer surface.
3. Repositions the pillows in a location that allows them to be exposed to the UV energy.
4. Close the bathroom door.
5. Swipe the operator RF ID badge to the front of the first device, a tone will sound and the operator LED will turn off. Swipe location RF ID card or fob stored in the treatment area, a tone will sound and the Location LED will turn off. The RF ID cards can be scanned any order. A location and operator ID is required if the RF ID functionality is activated on the SD Card Key.
6. Power on remote. Place the remote control into LINK docking cup. Green READY light stops flashing. Remove remote control from the LINK docking cup of first machine.
7. Swipe the operator RF ID badge to the front of the second device, a tone will sound and the operator LED will turn off. Swipe location RF ID card or fob stored in the treatment area, a tone will sound and the Location LED will turn off.



8. Power on the second remote. Place the remote control into LINK docking cup. Green READY light stops flashing. Remove remote control from the LINK docking cup of first machine.
9. Make sure all people and animals have been removed from treatment area.
10. Press the start button on the first remote and set the remote on the top of the machine.
11. Exit the room and press the START button on the second remote control. The audio alarm starts. Motion sensors scan the room for 60 seconds.
12. The UVC lamps turn on. The RED TREATMENT IN PROGRESS light illuminates on the UVC unit and remote control.
13. If motion is detected in the treatment area after the START button is pressed, all UVC units will shut off and the MOTION DETECTED light will illuminate on the remote control. The YELLOW SERVICE light will illuminate on the unit that detected motion stopping the treatment. To restart the unit press the RESET button on the remote, the unit will change to **green** READY and treatment process is ready to start again where it left off. The unit will scan for motion and the lamps will turn on.
14. When treatment cycle is complete the UVC unit will shut down and the BLUE TREATMENT COMPLETE light illuminates on both the remote control and UVC unit. The fan will turn on and circulate air within the treatment area helping to dissipate the UV odor.
15. Unplug the machines from the wall wrap up the power cord and hang on the hook. Strap the two machines together and move to the next room.